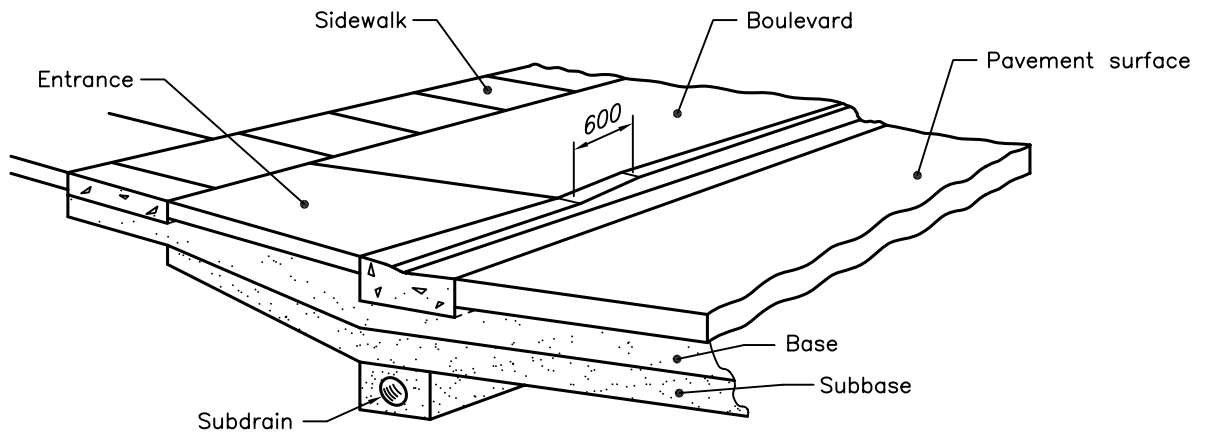
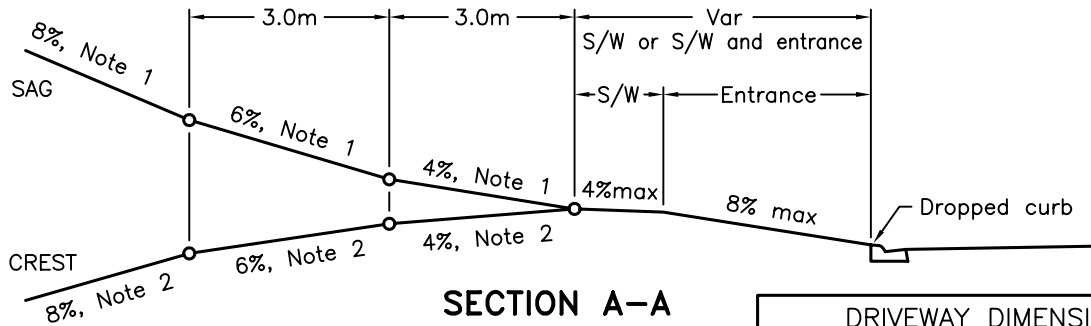


PLAN



ISOMETRIC VIEW



SECTION A-A

DRIVEWAY DIMENSIONS				
LAND USE	WIDTH m			
	Single		Double	
	min	max	min	max
Residential	3.0	4.3	6.0	7.3

NOTES:

- 1 Maximum upgrade shall be 10%.
- 2 Maximum downgrade shall be 8%.

A All dimensions are in millimetres unless otherwise shown.

ONTARIO PROVINCIAL STANDARD DRAWING

Nov 2009 | Rev | 1

**URBAN RESIDENTIAL
ENTRANCE**



OPSD 351.010